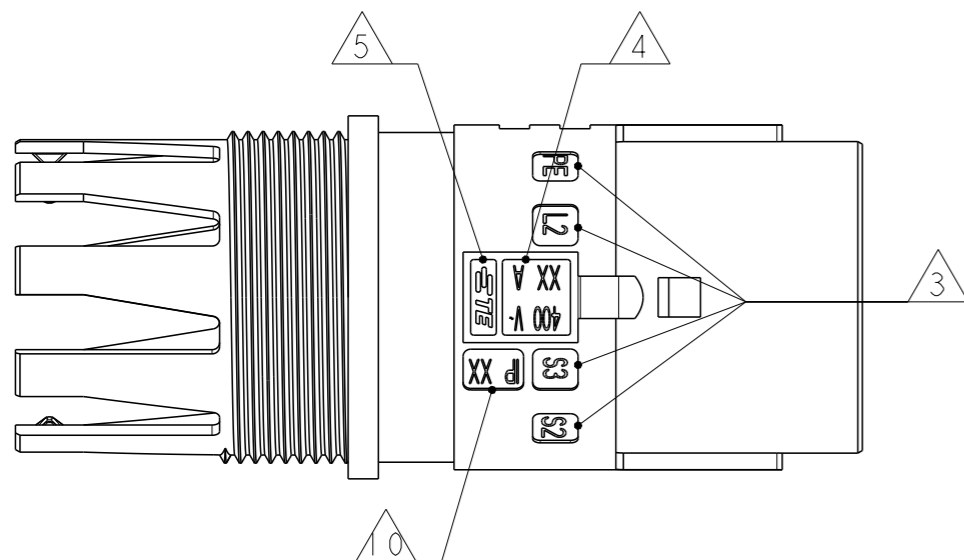
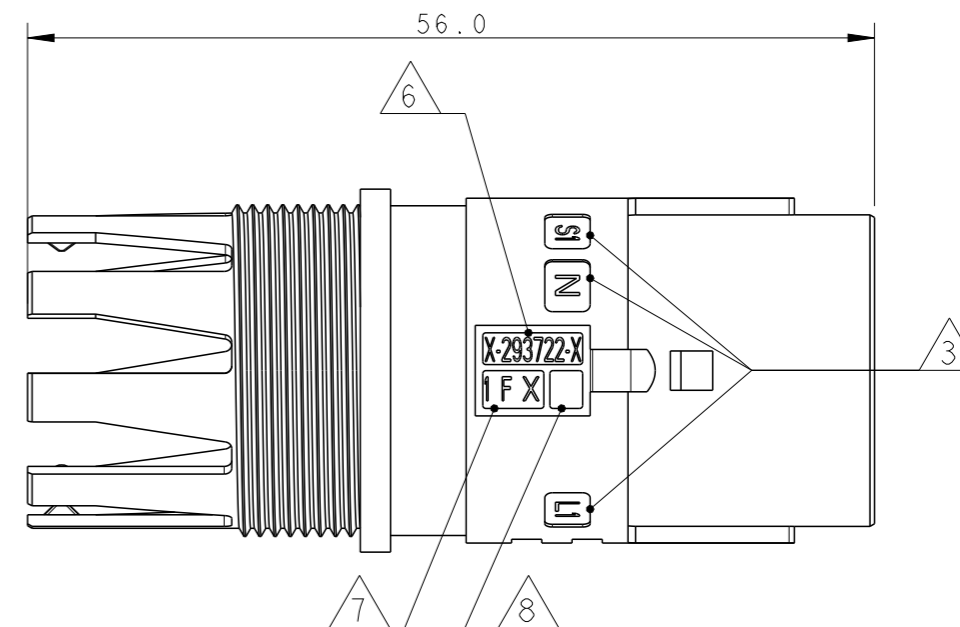
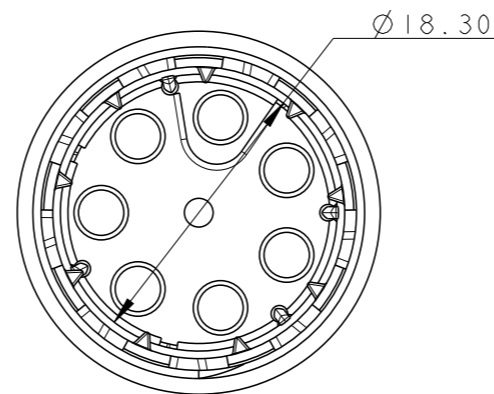
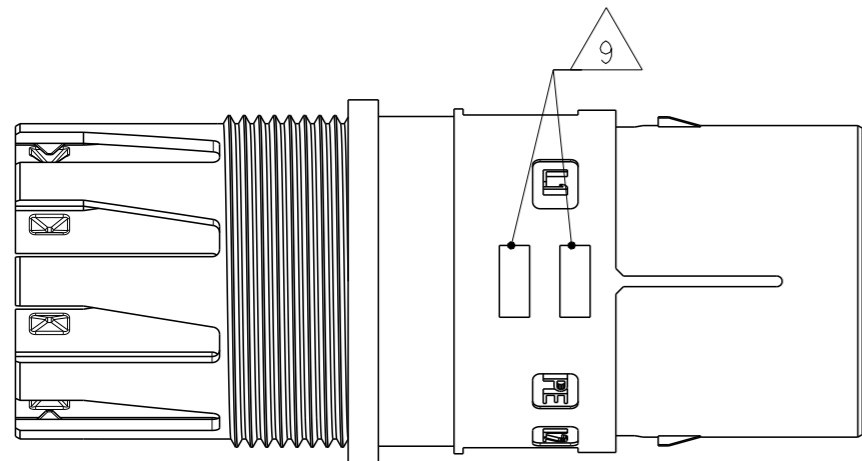


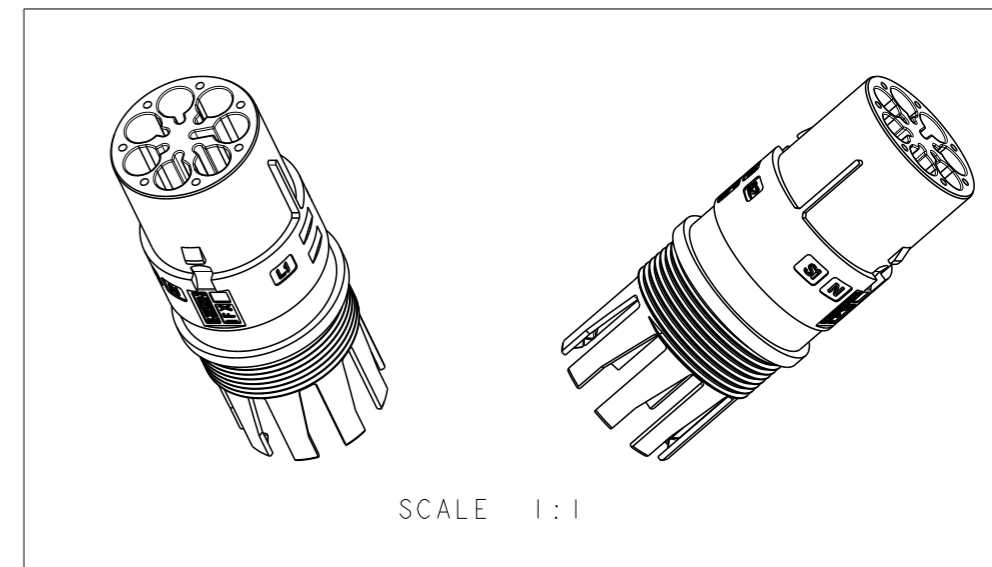
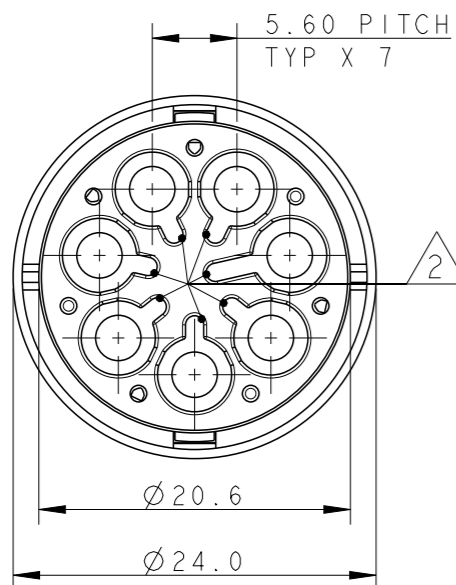
THIS DRAWING IS UNPUBLISHED. RELEASED FOR PUBLICATION 2011
 © COPYRIGHT 2011 BY - ALL RIGHTS RESERVED.

| LOC | DIST | REVISIONS | | | | | |
|-----|------|-----------|-----|-------------------------------|-----------|-----|------|
| | | P | LTR | DESCRIPTION | DATE | DWN | APVD |
| 1 | - | | 2 | UPDATED | 02MAY2011 | AB | GT |
| | | | 3 | UPDATED | 22JUL2013 | MZ | JC |
| | | | 4 | REVISED LATCH SHAPE | 02AUG2013 | KR | JC |
| | | | A | PARTS RELEASED FOR PRODUCTION | 13NOV2013 | MZ | JC |



NOTES:

- 1 MATERIAL: PA GF (NATURAL AND BLACK COLOUR)
- 2 ALL POLARIZATION KEYS SHOWN FOR REF ONLY
- 3 WAYS I.D.
- 4 VOLTAGE AND CURRENT RATINGS
- 5 TE LOGO
- 6 TE PART NUMBER
- 7 DATA CODE AND CAVITY I.D.
- 8 AREA FOR AGENCIES APPROVAL LOGO
- 9 VISUAL INDICATOR FOR PE CONDUCTOR
- 10 IP CODE



| | | | | | |
|---|--|---------------------------------|---|--------------------|--|
| THIS DRAWING IS A CONTROLLED DOCUMENT. | | DWN A. BERNARDI 31MAR2011 | TE Connectivity | | |
| DIMENSIONS: mm | | CHK M. ZUCCA 31MAR2011 | | | |
| TOLERANCES UNLESS OTHERWISE SPECIFIED: | | APVD G. TURCO 31MAR2011 | NAME PIN HSG 7 POLES FREE HANGING NECTOR M-LINE UNSEALED VERSION | | |
| 0 PLC ±- 1 PLC ±0.3 2 PLC ±0.20 3 PLC ±- 4 PLC ±- ANGLES ±3° FINISH - | | PRODUCT SPEC - | SIZE A300779 | | |
| MATERIAL NOTE 1 | | APPLICATION SPEC - | DRAWING NO C-293722 | RESTRICTED TO - | |
| | | WEIGHT - | SCALE 2:1 | SHEET 1 OF 2 | |
| | | Customer Drawing | REV A | | |

THIS DRAWING IS UNPUBLISHED.

RELEASED FOR PUBLICATION

2011

© COPYRIGHT 2011 BY -

ALL RIGHTS RESERVED.

| LOC | DIST | REVISIONS | | | | | |
|-----|------|-----------|-----|-------------|------|-----|------|
| | | P | LTR | DESCRIPTION | DATE | DWN | APVD |
| 1 | - | - | - | SEE SHEET 1 | - | - | - |
| | | | | | | | |
| | | | | | | | |

POLARIZATION TYPES

| POLARIZATION TYPE "A" | POLARIZATION TYPE "B" | POLARIZATION TYPE "C" |
|-------------------------------|-------------------------------|-------------------------------|
| | | |
| PNs 0-293722-1 AND 1-293722-1 | PNs 0-293722-2 AND 1-293722-2 | PNs 0-293722-3 AND 1-293722-3 |
| POLARIZATION TYPE "D" | POLARIZATION TYPE "E" | |
| | | |
| PNs 0-293722-4 AND 1-293722-4 | PNs 0-293722-5 AND 1-293722-5 | |

TABLE 1

| NOTE | POL. KEYING | COLOUR | DESCRIPTION | REV. | P/N |
|------|-------------|---------|---|------|------------|
| | E | BLACK | PIN HSG 7 POLES FREE HANGING NECTOR* M-LINE | A | 1-293722-5 |
| | D | BLACK | PIN HSG 7 POLES FREE HANGING NECTOR* M-LINE | A | 1-293722-4 |
| | C | BLACK | PIN HSG 7 POLES FREE HANGING NECTOR* M-LINE | A | 1-293722-3 |
| | B | BLACK | PIN HSG 7 POLES FREE HANGING NECTOR* M-LINE | A | 1-293722-2 |
| | A | BLACK | PIN HSG 7 POLES FREE HANGING NECTOR* M-LINE | A | 1-293722-1 |
| | E | NATURAL | PIN HSG 7 POLES FREE HANGING NECTOR* M-LINE | A | 0-293722-5 |
| | D | NATURAL | PIN HSG 7 POLES FREE HANGING NECTOR* M-LINE | A | 0-293722-4 |
| | C | NATURAL | PIN HSG 7 POLES FREE HANGING NECTOR* M-LINE | A | 0-293722-3 |
| | B | NATURAL | PIN HSG 7 POLES FREE HANGING NECTOR* M-LINE | A | 0-293722-2 |
| | A | NATURAL | PIN HSG 7 POLES FREE HANGING NECTOR* M-LINE | A | 0-293722-1 |

THIS DRAWING IS A CONTROLLED DOCUMENT.

| | |
|-------------------|--|
| DIMENSIONS: mm | TOLERANCES UNLESS OTHERWISE SPECIFIED: |
| | 0 PLC ± 1 PLC ±0.3 2 PLC ±0.20 3 PLC ± 4 PLC ± ANGLES ±3° |
| MATERIAL NOTE 1 | FINISH - |

| | |
|---|--|
| DWN A. BERNARDI 31MAR2011 | TE Connectivity NAME PIN HSG 7 POLES FREE HANGING NECTOR M-LINE UNSEALED VERSION SIZE CAGE CODE DRAWING NO RESTRICTED TO A300779G-293722 SCALE 2:1 SHEET 2 OF 2 REV A |
| CHK M. ZUCCA 31MAR2011 | |
| APVD G. TURCO 31MAR2011 | |
| PRODUCT SPEC - APPLICATION SPEC - WEIGHT - | |